

THANK YOU

Thank you for choosing Humminbird, America's #1 name in depthsounders. Humminbird has built its reputation by manufacturing top-quality, thoroughly reliable marine equipment. Genuine Humminbird accessories offer the opportunity to upgrade and expand the capabilities of your Humminbird product.

ABOUT FLUSH MOUNT INSTALLATION

Following are instructions for the installation of the flush mount transducer accessory. We encourage you to read these instructions carefully to get full benefit from your Humminbird accessory.

This accessory requires drilling a hole in the hull of the boat and installation should be referred to a qualified marine technician.

Before installation please test the Transducer to ensure that no damage occurred during shipping. Connect the transducer to the depthsounder and hold the transducer in the water over the side of the boat to confirm proper operation. Determine the best mounting location for the transducer. Outside the boat, the best location will be aft midship, as close to the centerline of the boat as possible. The transducer should be mounted forward of the props on inboard boats, and adequate separation ensured from other transducers, stakes, rivet lines, or other protrusions. Inside the boat, there must be adequate access to the mounting location for installation, and routing of the cables.

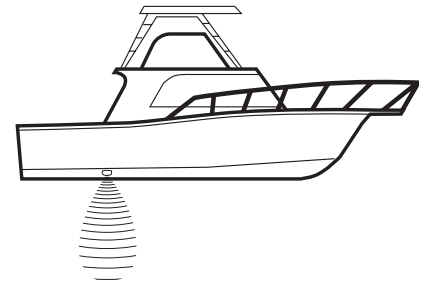
If the selected mounting location has a hull deadrise angle of 10° or greater, a fairing block should be used to level the transducer housing and direct the sonar signal straight down.

Note: When installing this transducer on a trailerable boat, be sure the transducer is free of all obstructions. If using a fairing block it is not recommended to use this transducer with a trailerable boat.

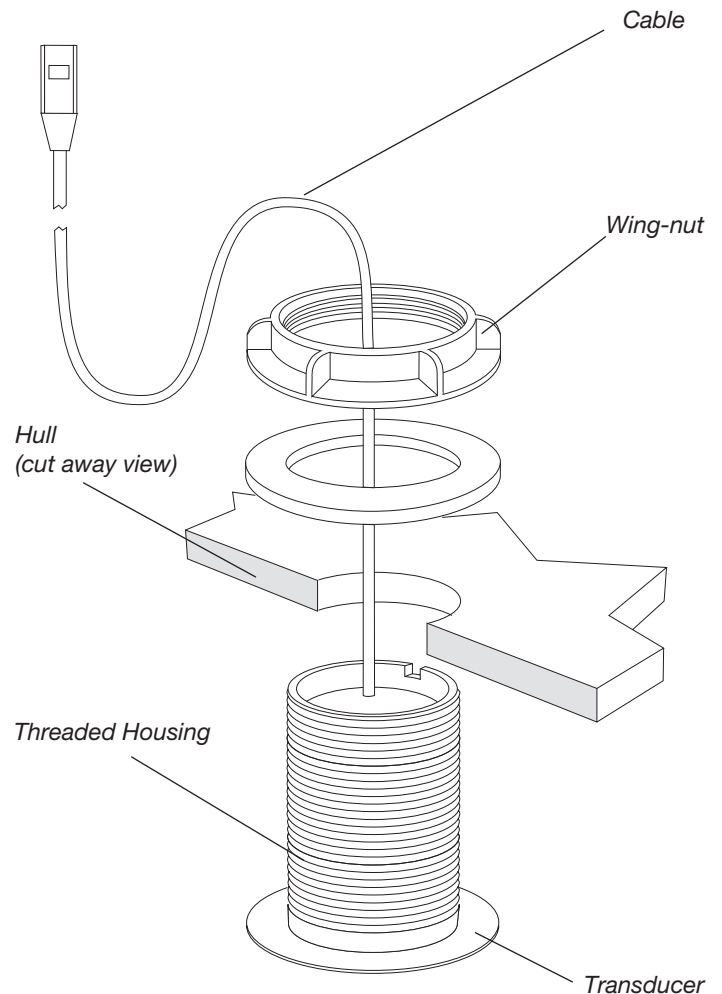
If you find that any items are missing from your installation kit, call our toll free Customer Support Hotline.

In addition to the hardware supplied with your transducer, you will need a drill, a small drill bit for a pilot hole, a 2" hole saw, marine sealant or slow curing epoxy.

At the selected location, drill a small pilot hole then a 2" hole using the hole saw, from outside the boat hull. If you are using a fairing block, drill the hole perpendicular to the water line. If you are mounting the transducer directly into the hull, drill the hole perpendicular to the hull.



Through the Hull Installation



BEFORE YOU START

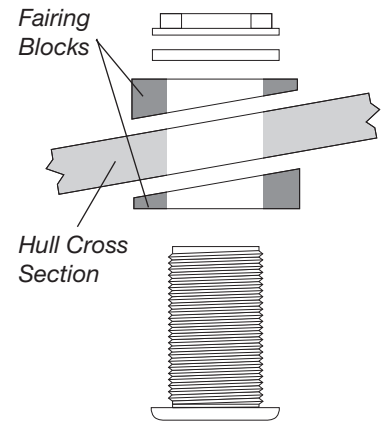
ATTACHING THE TRANSDUCER

Thoroughly clean and deburr the drilled hole and clean the outside of the hull.

If you are using a fairing block, the block should be cut to match the angle of the deadrise of the hull. Two pieces will be required; one which is shaped to match the profile of the transducer body and mounts outside the hull. The second piece mounts inside the hull and provides a level surface for the fasteners. ***The design and fabrication of a fairing block varies greatly with different hull shapes, therefore it should be customized by a qualified marine technician.***

Temporarily install the transducer to check the fit, then apply a generous amount of marine sealant or slow curing epoxy inside the drilled holes, and along the mating surfaces of the transducer housing. If you are using a fairing block, seal the mating edges of the block as well.

Insert the threaded housing into the drilled hole. From inside the boat hand tighten the wing nut onto the threaded housing. Do not overtighten the nut. If the hull is wood it will swell when wet.



Fairing Block Assembly to Hull

ROUTING THE CABLE

Route the cable to the Humminbird unit. ***Route the cable to avoid areas where it may be damaged or interfere with normal boating operations.*** Remove the Humminbird unit from the mounting base.

Insert the cable into the appropriate terminal slot. The cable connectors are labeled, and there are corresponding labels on the connector holder. The slots are keyed to prevent reversed installation, so be careful not to force the connector into the holder.

Refer to your owner's manual for the correct procedure for installing the cable connectors to the Humminbird unit.

Your depthsounder is now ready for operation.

CUSTOMER SUPPORT

Your Humminbird accessory is designed for trouble-free operation and is backed by the same one-year warranty as our depthsounders, VHF Marine-band radios, and GPS Navigation equipment. Refer to your Humminbird product Operations Manual for the specific details of this warranty. If you have any questions, call our toll free Humminbird Customer Support Hotline:

1-800-633-1468

Throughout the U.S. and Canada, hours are Monday-Friday 8:00 a.m. to 5:00 p.m. Central time.

**Humminbird
Three Humminbird Lane
Eufaula, AL 36027**